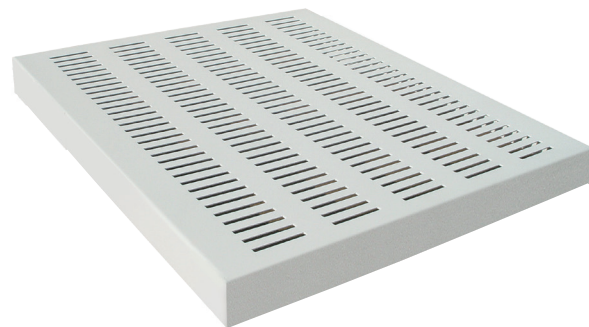
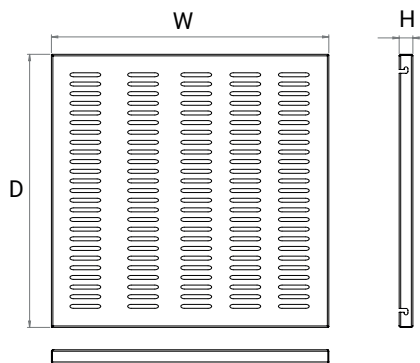


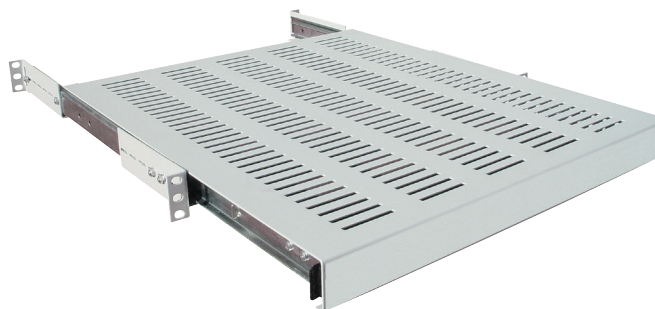
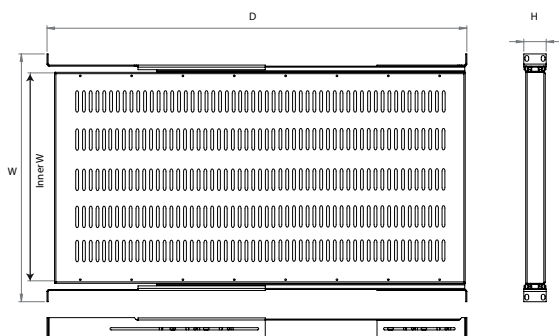
### 19" Heavy Duty Fixed Shelf



<b>Material</b> 1.5 mm Steel	<b>Maximum Static Load</b> 100 kg
<b>Finish</b> Electrostatic Powder Paint	<b>Packaging</b> One piece in a box

H (U)	D (mm)	W (mm)	Inner W (mm)	Weight kg	Part No
1U	400	483	435	2,95	CCA-X-1008
1U	600	483	435	3,95	CCA-X-1009
1U	800	483	435	4,95	CCA-X-1010
1U	1000	483	435	5,95	CCA-X-1011

### 19" Sliding Shelf

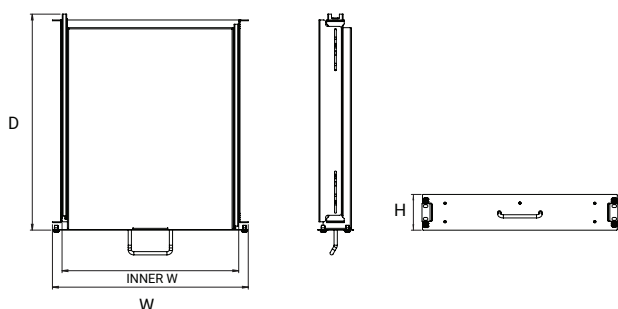


<b>Material</b> 1.5 mm Steel	<b>Maximum Static Load</b> 35 kg
<b>Finish</b> Electrostatic Powder Paint	<b>Packaging</b> One piece in a box

H (U)	D (mm)	W (mm)	Inner W (mm)	Weight kg	Part No
1U	400	483	435	2,37	CCA-X-1012
1U	600	483	435	3,56	CCA-X-1013
1U	800	483	435	4,74	CCA-X-1014
1U	1000	483	435	5,93	CCA-X-1015

<b>Material</b> 1.5 mm Steel	<b>Maximum Static Load</b> 35 kg
<b>Finish</b> Electrostatic Powder Paint	<b>Packaging</b> One piece in a box

H (U)	D (mm)	W (mm)	Inner W (mm)	Weight kg	Part No
2U	500	483	435	6,36	CCA-X-1016
3U	500	483	435	9,54	CCA-X-1017



\* X : Color code = 7: RAL 7035 (Grey); 9: RAL 9005 (Black)