

SHENZHEN TIBTRONIX TECHNOLOGY CO., LTD.



GSCXXSSP

10Gb/s SFP+ Direct Attach Passive Cable

2013/6/1



Shenzhen Tibtronix Technology Co., Ltd.

3/F, 12th Building, Nangang 1st Industrial Park, Baimang Xili, Songbai Road, Nanshan District, Shenzhen, China

Tel: +86 755 23316583

Fax: +86 755 29810056

E-mail: sales@tibtronix.com

<http://www.tibtronix.com>

Features:

- ✧ Support for multi-gigabit data rates up to 10.5Gbps
- ✧ Data rates backward compatible to 1Gbps
- ✧ Hot-pluggable SFP 20 PIN footprint
- ✧ Copper link length up to 0.2m
- ✧ I/O Connector designed for high speed differential signal applications
- ✧ Improved Pluggable Form Factor (IPF) compliant for enhanced EMI/EMC performance
- ✧ Compatible to SFP+ MSA
- ✧ Temperature Range: 0~70°C
- ✧ RoHS compliant

Applications:

- ✧ High capacity I/O in Storage Area Networks, Network Attached Storage, and Storage Servers
- ✧ Switched fabric I/O such as ultra high bandwidth switches and routers
- ✧ Data center cabling infrastructure
- ✧ High density connections between networking equipment

Description:

The SFP+ passive cable assemblies are high performance, cost effective I/O solutions for 10G Ethernet and 10G Fiber Channel applications. SFP+ copper modules allow hardware manufactures to achieve high port density, configurability and utilization at a very low cast and reduced power budget. The high speed cable assemblies meet and exceed Gigabit Ethernet and Fiber Channel industry standard requirements for performance and reliability.

● Recommended Operating Environment:

Parameter	Symbol	Min.	Typical	Max.	Unit
Storage Ambient Temperature		-40		+85	°C
Operating Case Temperature	Tc	0		+70	°C

● Pin Function Definitions

PIN #	Name	Function	Notes
1	VeeT	Module transmitter ground	Note1
2	Tx Fault	Module transmitter fault	Note 2
3	Tx Disable	Transmitter Disable; Turns off transmitter laser output	Note 3
4	SDL	2 wire serial interface data input/output (SDA)	
5	SCL	2 wire serial interface clock input (SCL)	
6	MOD-ABS	Module Absent, connect to VeeR or VeeT in the module	Note 2
7	RS0	Rate select0, optionally control SFP+ receiver. When high, input data rate >4.5Gb/s; when low, input data rate <=4.5Gb/s	
8	LOS	Receiver Loss of Signal Indication	Note4
9	RS1	Rate select0, optionally control SFP+ transmitter. When high, input data rate >4.5Gb/s; when low, input data rate <=4.5Gb/s	
10	VeeR	Module receiver ground	Note 1
11	VeeR	Module receiver ground	Note 1
12	RD-	Receiver inverted data out put	
13	RD+	Receiver non-inverted data out put	
14	VeeR	Module receiver ground	Note 1
15	VccR	Module receiver 3.3V supply	
16	VccT	Module transmitter 3.3V supply	
17	VeeT	Module transmitter ground	Note 1
18	TD+	Transmitter inverted data out put	
19	TD-	Transmitter non-inverted data out put	
20	VeeT	Module transmitter ground	Note1

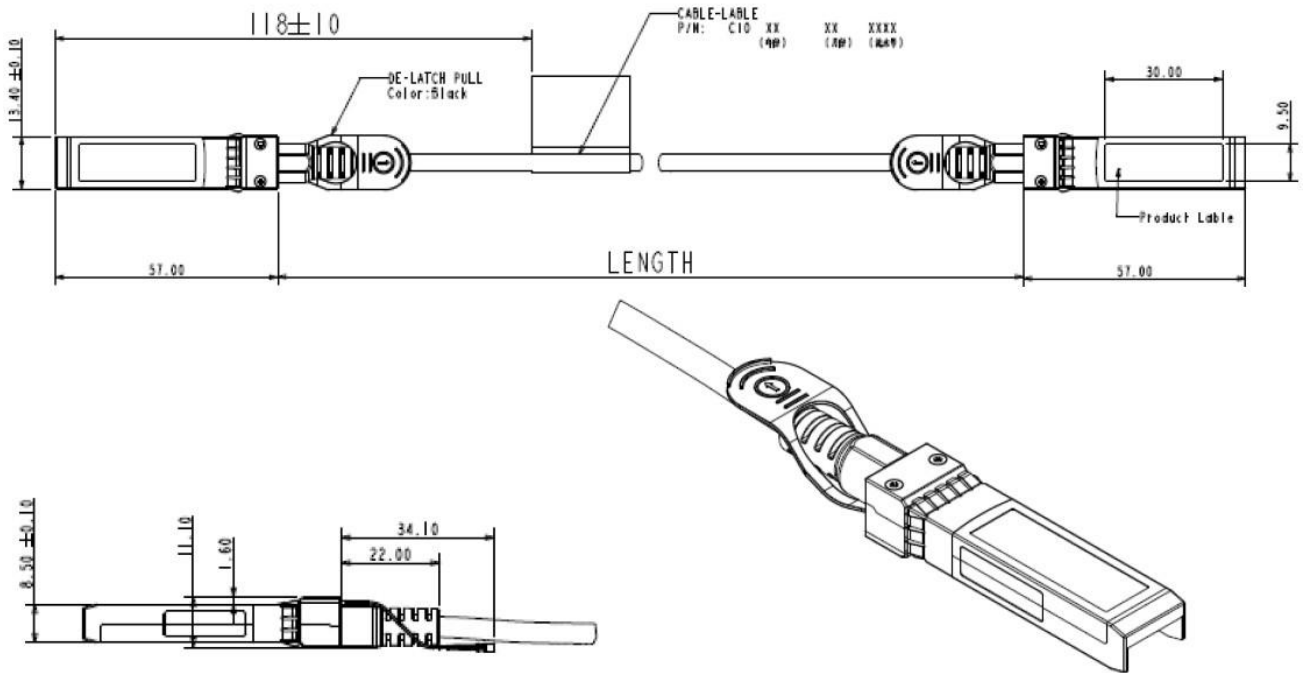
Note 1) The module ground pins shall be isolated from the module case.

Note 2) This pin is an open collector/drain output pin and shall be pulled up with 4.7K-10Kohms to Host_Vcc on the host board.

Note 3) This pin shall be pulled up with 4.7K-10Kohms to VccT in the module.

Note 4) This pin is an open collector/drain output pin and shall be pulled up with 4.7K-10Kohms to Host_Vcc on the host board.

● Mechanical Dimensions



● Ordering Information

Part Number	Description	Gauge
GSC0.2SSP	SFP+ Passive Direct Attach Copper Cable Assembly,0.2m	30AWG
GSC0.5SSP	SFP+ Passive Direct Attach Copper Cable Assembly,0.5m	30AWG
GSC01SSP	SFP+ Passive Direct Attach Copper Cable Assembly,1m	30AWG
GSC02SSP	SFP+ Passive Direct Attach Copper Cable Assembly,2m	30AWG
GSC03SSP	SFP+ Passive Direct Attach Copper Cable Assembly,3m	30AWG
GSC05SSP	SFP+ Passive Direct Attach Copper Cable Assembly,5m	24AWG
GSC07SSP	SFP+ Passive Direct Attach Copper Cable Assembly,7m	24AWG

TIBTRONIX reserves the right to make changes to the products or information contained herein without notice. No liability is assumed as a result of their use or application. No rights under any patent accompany the sale of any such products or information.

Published by Shenzhen TIBTRONIX Technology Co., Ltd.

Copyright © TIBTRONIX

All Rights Reserved