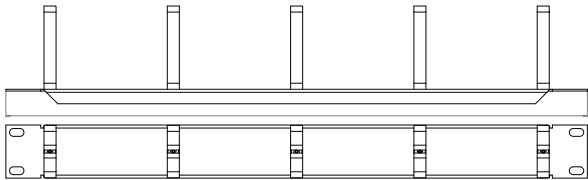
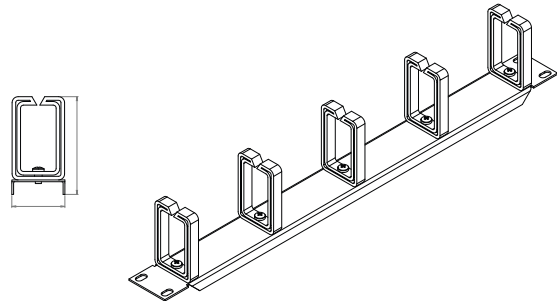


19" 1U Horizontal Cable Organizer with Plastic Hooks

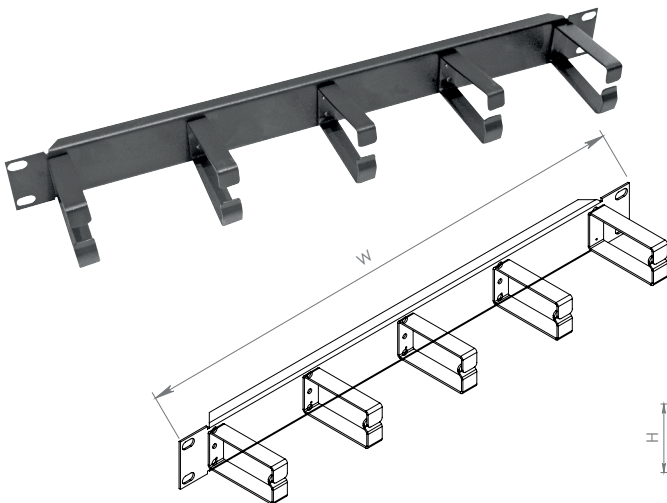


| | |
|-------------------------------------|--|
| Material 1,5 mm Steel | Finish Electrostatic Powder Paint |
| Packaging One piece in a box | |

| H (mm) | D (mm) | W (mm) | Weight kg | Part No |
|--------|--------|--------|-----------|------------|
| 1U | 80 | 483 | 0,49 | CCA-X-5001 |

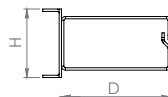


19" 1 & 2 U Horizontal Cable Organizer with Metal Hooks

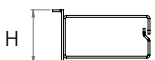
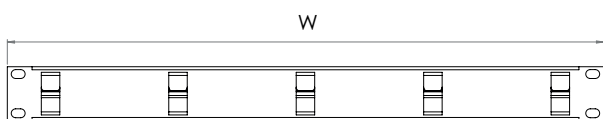
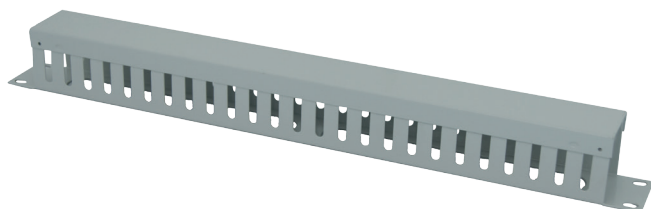


| | |
|-------------------------------------|--|
| Material 1,5 mm Steel | Finish Electrostatic Powder Paint |
| Packaging One piece in a box | |

| H (U) | D (mm) | W (mm) | Weight kg | Part No |
|-------|--------|--------|-----------|------------|
| 1U | 80 | 483 | 0,50 | CCA-X-5044 |
| 2U | 80 | 483 | 0,65 | CCA-X-5055 |

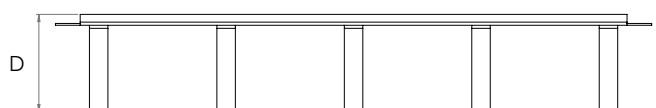


19" Covered Cable Organizer



| | |
|-------------------------------------|--|
| Material 1,5 mm Steel | Finish Electrostatic Powder Paint |
| Packaging One piece in a box | |

| H (U) | D (mm) | W (mm) | Weight kg | Part No |
|-------|--------|--------|-----------|------------|
| 1U | 483 | 483 | 0,6 | CCA-X-5004 |



* X : Color code = 7: RAL 7035 (Grey); 9: RAL 9005 (Black)