

General description:

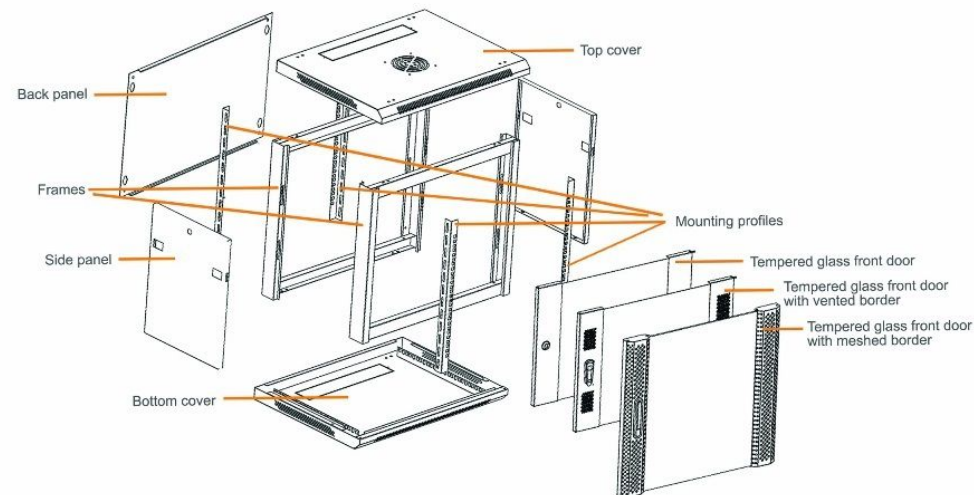
- Steel frame with assistant profile unassembled structure;
- Single section, compatible with 19" standard equipments;
- 5mm tempered glass front door with over 180 turning degree;
- Removable side panel, easy to install and lock optional;
- Cable entry on the top and bottom;
- L-shaped mounting profile, easy to adjustable on the mounting rail;
- Fan cutout on the top, easy to install fan;
- Back panel with four mounting holes, easy to fix on the wall;
- Various accessories for option;
- Flat packing, save the container space, easy to transport;



Front



Rear



S/N	WS3
Standard	Comply with ANS/EIA RS-310-D, IEC297-2, DIN41491, PART1, DIN41491, PART7, ETSI Standard;
Material	SPCC quality cold rolled steel; thickness: 1.2mm; Tempered glass; thickness: 5.0mm;
Loading Capacity	Static loading: 100kg
Degree of protection	IP20
Surface finish	Degreasing, Pickling, Phosphating, Electrostatic Painting
Product specification	4U-18U Width: 600mm Depth: 450mm, 600mm

