

VIEW 5 Pro

BELIEVE YOUR EYES

VIEW 5 Pro, MONITORING WEB SERVICE CORE-ALIGNMENT FUSION SPLICER

- Core Alignment Splicing Method with DACAS (Digital Analysis Core Alignment System)
- The Highest Magnification and Resolution
- 5" Color LCD Touch Screen
- Double Tapping (Zoom in & Out)
- Fast Heating Time
- Detachable SOC Holder and Heating Oven
- 3 Bright LEDs for Dark Environment
- Remote control, Real-time monitoring Web Service



MONITORING WEB SERVICE FEATURES



REAL-TIME
TRACKING



SPLICE
DATA



JOB
ORDER



DEVICE
MANAGEMENT

TECHNICAL SPECIFICATIONS

General Specifications

Items	Specifications
Model	View 5 Pro
Alignment Method	Core alignment
Number of fiber	Single
Applicable fibers	SM (ITU-T G.652&G.657) / MM (ITU-T G.651) / DS (ITU-T G.653) / NZDS (ITU-T G.655)
Cladding Diameter	80 ~ 150µm
Cleaved Length	5 ~ 16mm
Typical Splice Loss	SM: 0.02dB / MM:0.01dB / DS:0.04dB / NZDS: 0.04dB / G.657: 0.02dB
Return Loss	>> 60dB
Estimated Splice Loss	Available
Splice Time	Quick mode : 7 sec (Avg.) / SM Auto mode : 9 sec (Avg.)
Splice Mode	Max 128 modes
Heating Sleeve	20 ~ 60mm
Heating Time	13 sec
Heating Mode	Max 32 modes
Tension Test	1.96 ~ 2.25N
Dimension	149W x 177D x 151H mm (including rubber bumper) / 130W x 166D x 140H mm (excluding rubber bumper)
Weight	2.21kg (with battery) / 1.85kg (without battery)
White LED	3 White LEDs
Monitor	5.0" Color LCD display, Full touch screen
Fiber View	X, Y, XY, X/Y
Magnification	320 ~ 520x
Results Storage	10,000 Splice data / 10,000 Splice image
Power Supply	AC Input 100 ~ 240V, DC Input 9 ~ 14V
Terminal	TYPC / SIM
Battery Capacity	5200mAh Battery Capacity, Typical 200 times (Splice+Heat)
Electrode Life	5500 arcs discharges

Environmental Condition

Items	Specifications
Operating Condition	Altitude: 0 ~ 5000m Humidity: 0 ~ 95%, non-dew Temperature: -10 ~ 50 °C Wind: up to 15m/sec
Storage Condition	Humidity: 0 ~ 95%, non-dew Temperature: -40 ~ 80 °C

Environmental Test

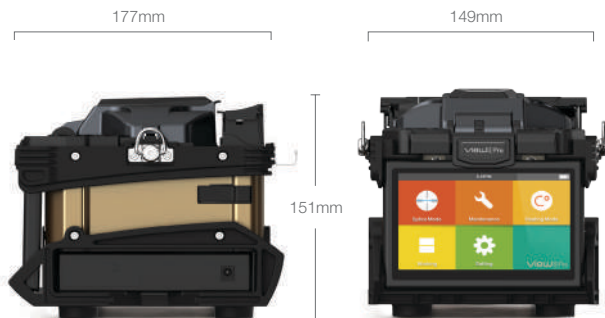
Items	Specifications
Water Resistance	IPx2
Shock Resistance	Drop from 76cm
Dust Resistance	IP5X



Notes

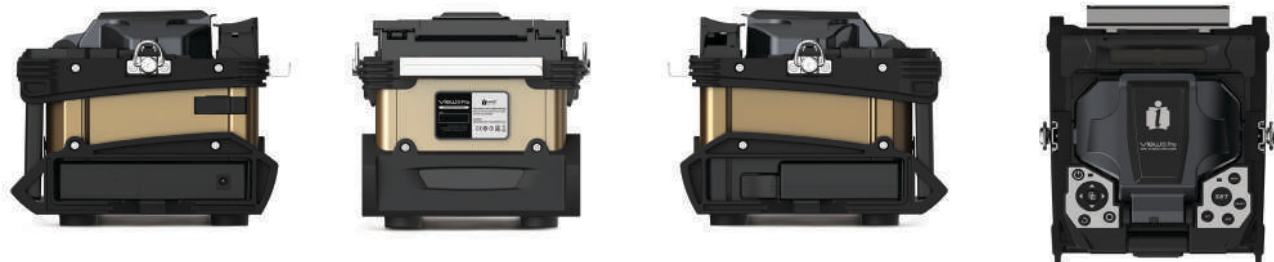
- * 1: Measured by cut-back method relevant to ITU-T and IEC standards.
- * 2: Measured at room temperature. Splice time may vary depending on the environmental conditions, fiber type, and fiber characteristics.
- * 3: Measured at room temperature. Heating time changes depending on the environmental conditions, sleeve type and battery pack condition.
- * 4: Test condition
 - (1) Splice and heat time : 2 minutes cycle ; (2) Using full charged battery ; (3) At room temperature.
- * 5: The electrode life changes depending on the environmental conditions, fiber type and splice modes.

WEIGHT AND DIMENSIONS



Height: 5.95 inches (151 mm)
 Width: 5.87 inches (149 mm)
 Depth: 6.97 inches (177 mm)
 Weight: 4.08 pounds (1.85 kg without battery)

Detailed View



PACKAGE

Standard Package

Model / Part No.	Description	
	Main Unit	
View 5 Pro	Fusion Splicer	
	Standard Accessories	
FC11	Cleaver	1ea
FH-45	Fiber Holder	1set
FH-SOC-R	SOC Holder	1ea
HTS-SOC-02	SOC Heater Cover	1ea
JS-180300	AC Adapter	1ea
CG-22	Cooling Tray	1ea
E-50	Electrode	1set
LBT-52	Battery Pack	1ea
ACC-25	Power Cable	1ea
USB-5P	USB Cable	1ea
ICC-51	Carrying Case	1ea
ST-01	Shoulder Strap(Carrying case)	1ea
Quick Reference		1ea

* USB-5P Mini USB to Type-A USB (Male) Cable.

Optional Accessories

Model / Part No.	Description	
TK02-AP01	Alcohol pump	1ea
TK02-MP01	Stripper	1ea
CJ-11	Cigarette Lighter Cable	1ea
EG-18	Electrode Grinder	1ea
PS-60S	Heating sleeve(60mm)	1peak(100ea)

VIEW PRO MONITORING SYSTEM

Items	Specifications
Web Site	www.innoinstrument.com
QR Code	

The Information on this catalog is subject to change without prior notice.