

Rear Panel (Optional)

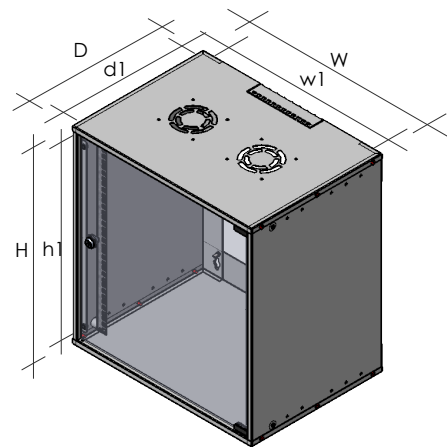
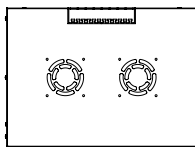
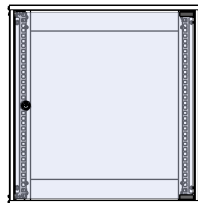
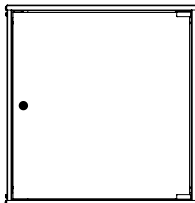
## Soho Cabinet

### Technical Details

<b>Material</b>	0,8 mm steel
<b>Color</b>	RAL 7035 or RAL 9005
<b>Maximum Static Load</b>	Up to 80 kg.
<b>Finish</b>	Electrostatic Powder Paint

### Standard Configuration:

- Steel Frame
- Glass door with cylindrical lock
- 1 pair of 19" mounting rails
- Low cost alternative
- RoHS compliant, UL certified
- Solid, lightweight and ergonomic
- The glass door is concealed inside the cabinet and to minimize the risk of impact from the edges.
- Easy to assemble and flatpack option available



### Order Information

Height U	Outer Width (W) mm	Outer Depth (D) mm	Outer Height (H) mm	Inner Width (w1) mm	Inner Depth (d1)mm	Inner Height (h1) mm	Product Part No	Back Cover Part No
4U	545	400	221	485	380	189	WC1S-X-04J4A	WSZ-X-04JY0-0901
6U	545	400	310	485	380	278	WC1S-X-06J4A	WSZ-X-06JY0-0901
7U	545	400	355	485	380	323	WC1S-X-07J4A	WSZ-X-07JY0-0901
9U	545	400	444	485	380	412	WC1S-X-09J4A	WSZ-X-09JY0-0901
12U	545	400	577	485	380	545	WC1S-X-12J4A	WSZ-X-12JY0-0901
15U	545	400	710	485	380	678	WC1S-X-15J4A	WSZ-X-15JY0-0901
12U	545	600	577	485	580	545	WC1S-X-12J6A	WSZ-X-12JY0-0901
15U	545	600	710	485	580	678	WC1S-X-15J6A	WSZ-X-15JY0-0901

(Color Code): 7:RAL 7035 Light Grey, 9:RAL 9005 Black