

Inorax-ST Server Cabinet

A cost effective server rack cabinet system developed for independent use and Data Center environments. inorax-ST server rack cabinet system is designed and engineered for demanding Data Center environments. It is designed to house all servers manufactured by major brands including HP, Dell, Sun, Cisco, Juniper, IBM, Compaq to name but a few. To achieve optimum versatility within the server rack, users can set multiple depths throughout the cabinet by adjustable 19" mounting rails mounted on heavy duty side supports. Horizontally divided side panels provide ease of access and convenient post-installation maintenance. Optional % 80 perforations on front and rear doors enable optimum airflow within the rack cabinet. Optional cable tray channels can be fitted on top of the rack provides perfect cable routing eliminating the need for raised floor systems. Flat-pack option enables savings up to 60% in the transport cost and warehouse space

Technical Features

Material	1-1,2-1,5-2mm Steel
Color	RAL 7035 or RAL 9005
Compliance	RoHS, UL Certified
Packaging	Assembled or unassembled
Maximum Static Load	Up to 1500 kg. (in 600x600 mm)
Finish	Frame, doors, side panels, top and bottom covers. Electrostatic Powder Paint, 19" mounting rails: Zinc-plated

Standard Configuration

- Perforated front and rear doors, Free Air Ratio (Fea): %65
- Front & rear doors with swing handle Multi point-espagnolette
- Solid Side Panels with cylindrical locks and latches
- Internal top sheet with 3 cable entries for 800 width, 1 cable entry for 600 width racks and fan cut-outs
- 2 Pairs of depth adjustable heavy duty 19" Mounting Rails
- 2 Pairs of Adjustable Feet
- Bottom cover with 3 cable entries for 800 width, 1 cable entry for 600 width racks



CERTIFIED



Front View



Front View Open

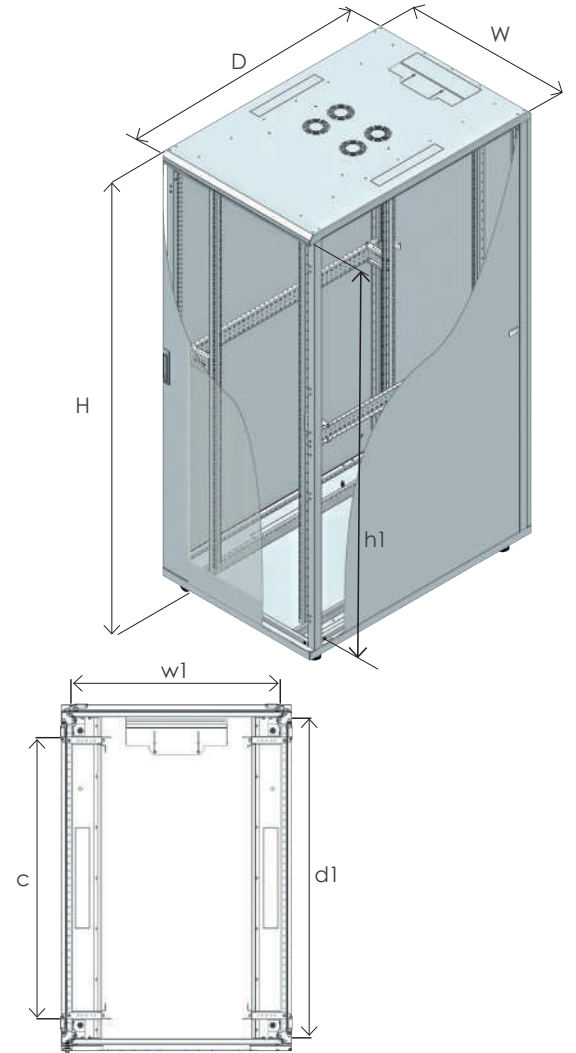
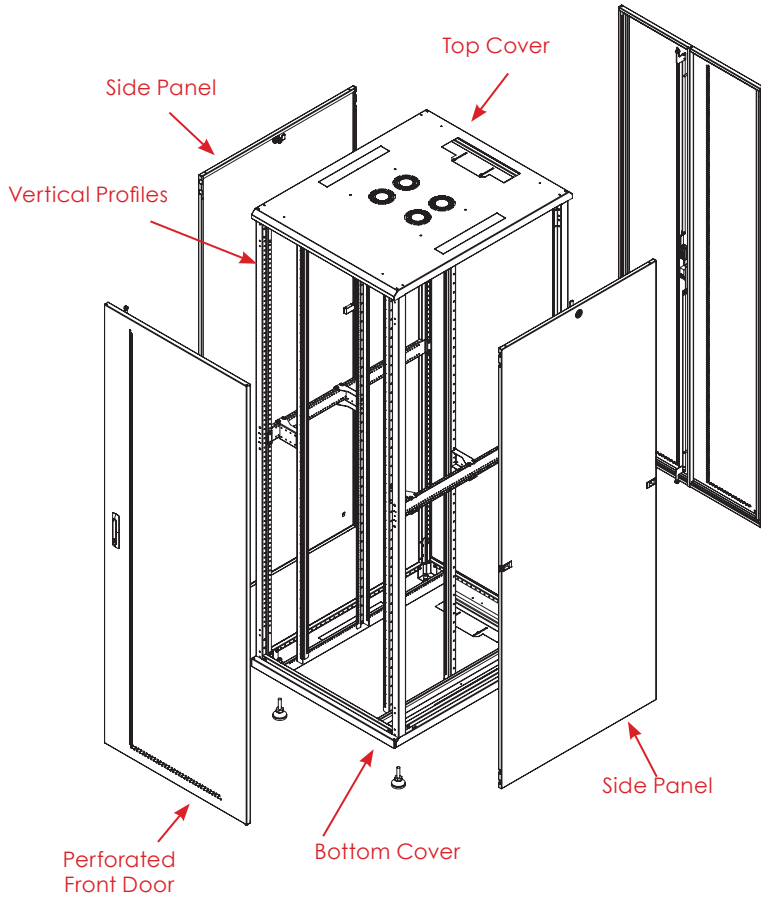


3/4 View



Side View

Technical Drawing



Order Information

Height U	Outer Width (W) mm	Outer Depth (D) mm	Outer Height (H) mm	Inner Width (w1) mm	Inner Depth (d1) mm	Inner Height (h1) mm	19" Rails Adjustable Depth Range (c)	Weight kg	Part No
26U	600	1000	1322	503	950	1162	123 - 773	84,0	CSS-X-2660A
26U	600	1200	1322	503	1150	1162	123 - 973	95,8	CSS-X-2662A
36U	600	1000	1766	503	950	1607	123 - 773	104,9	CSS-X-3660A
36U	600	1200	1766	503	1150	1607	123 - 973	116,5	CSS-X-3662A
39U	800	1000	1900	703	950	1740	123 - 773	130,2	CSS-X-3980A
42U	600	1000	2033	503	950	1873	123 - 773	117,2	CSS-X-4260A
42U	600	1100	2033	503	1050	1873	123 - 873	123,0	CSS-X-4261A
42U	600	1200	2033	503	1150	1873	123 - 973	129,0	CSS-X-4262A
42U	800	1000	2033	703	950	1873	123 - 773	136,9	CSS-X-4280A
42U	800	1100	2033	703	1050	1873	123 - 873	143,6	CSS-X-4281A
42U	800	1200	2033	703	1150	1873	123 - 973	150,5	CSS-X-4282A
42U	1000	1000	2033	903	950	1873	123 - 773	156,9	CSS-X-4211A
47U	600	1000	2255	503	950	2095	123 - 773	126,7	CSS-X-4760A
47U	600	1100	2255	503	1050	2095	123 - 873	133,0	CSS-X-4761A
47U	600	1200	2255	503	1150	2095	123 - 973	139,3	CSS-X-4762A
47U	800	1000	2255	703	950	2095	123 - 773	147,3	CSS-X-4780A
47U	800	1100	2255	703	1050	2095	123 - 873	154,5	CSS-X-4781A
47U	800	1200	2255	703	1150	2095	123 - 973	161,7	CSS-X-4782A

X (Color code): 7:RAL 7035 Light Grey, 9:RAL 9005 Black